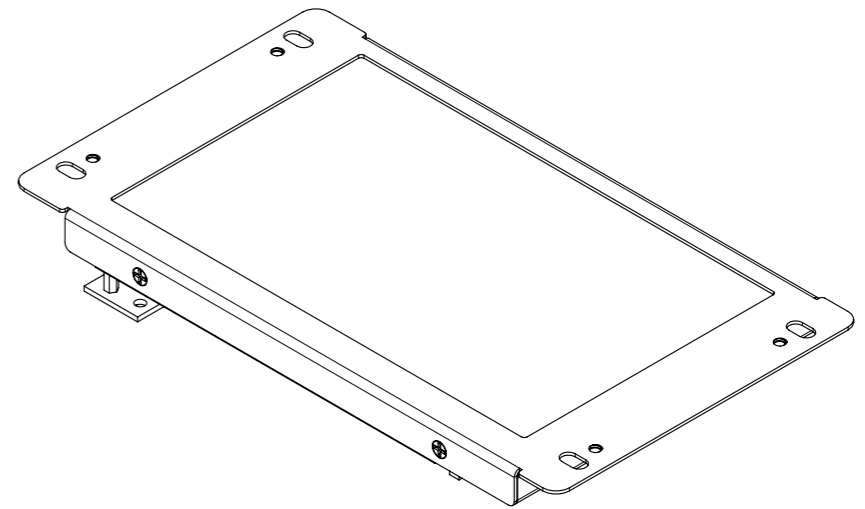


DETAIL A
SCALE 1:1



DWG REV	DATE	UNLESS OTHERWISE SPECIFIED TOLERANCES		DESIGN YOUQX	DRAWING NAME		PRODUCT NAME		
		X.XXX/FL	± 0.005		OF 70N02 - ASSY		OF 70N02		
		X.XX	± 0.01	CHECKED/ APPROVED	SHRINKAGE		SCALE	SHT	
D1	2013/11/22	X.X	± 0.1	THIRD ANGLE PROJECTION	DO NOT	SCALE	3/5	OF	
D2	2015/01/17	X.	± 0.5						SCALE
		UNITS							
		MM							