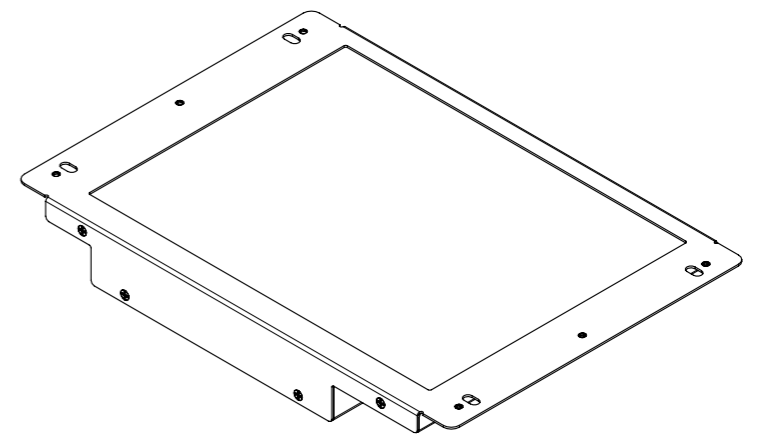


DETAIL A  
SCALE 3:2



DWG REV		DATE		UNLESS OTHERWISE SPECIFIED TOLERANCES		DESIGN YOUQX		DRAWING NAME		PRODUCT NAME		
D1	2013/12/04	X.XXX/FL	± 0.005	UNITS MM	CHECKED/ APPROVED			OF 104N01 - ASSY		OF 104N01		
		X.XX	± 0.01			MAT'L	SHRINKAGE	SCALE 1/2	SHT	OF		
D2	2013/12/04	X.X	± 0.1								THIRD ANGLE PROJECTION	
		X.	± 0.5									